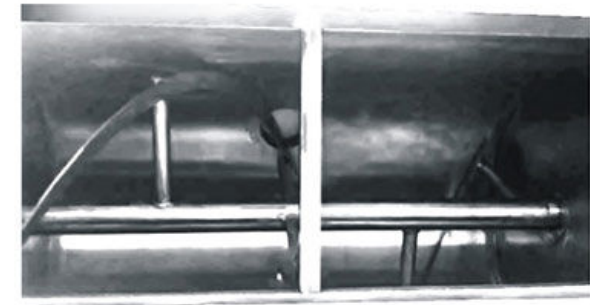
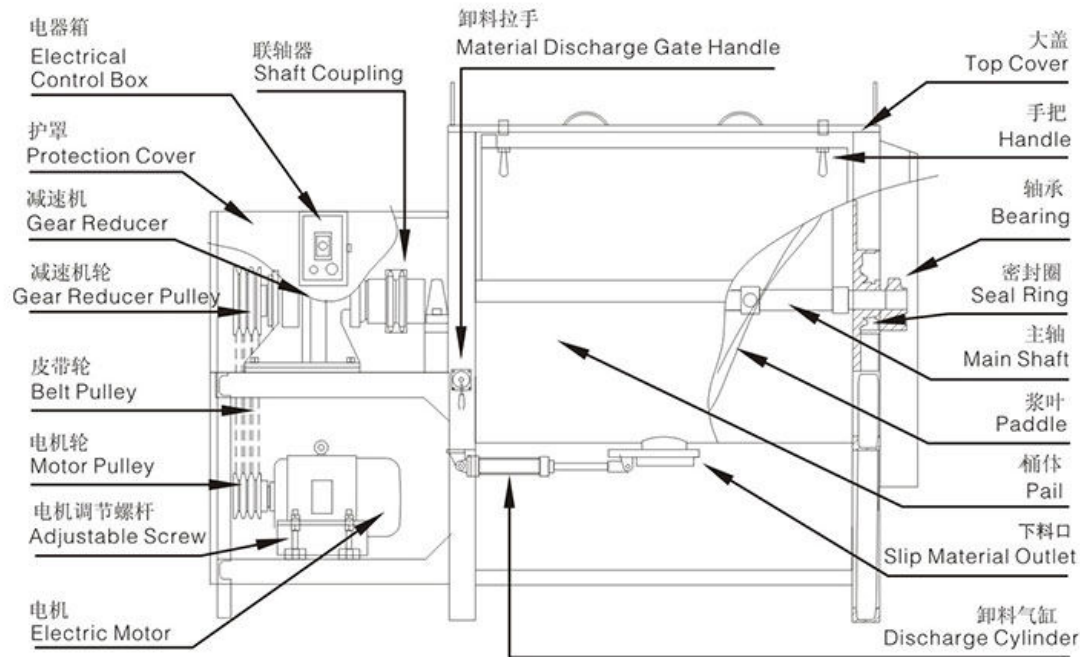


FEATURE:

- Stainless steel hopper and paddles, rust free and easy to clean.
- Vertical reducer motor, durable and low noise.
- Special designed protection door for easy feeding.
- Dual direction "S" spiral paddle, fast and even.
- Inspection window on top, easy to monitor mixing process.
- Mixing timer able to set within 0~30 minutes.
- Customizable for heating or cooling type model.

STRUCTURE DIAGRAM



Stirrer paddle

SPECIFICATIONS

型号 Model	功率/Power		容量(KG) Capacity	电压(V) Voltage	外形尺寸 (MM) Dimensions	转速 (R/MIN) Rotating Speed	净重约 (KG) Approx. Net Weight
	KW	HP					
XC-JB300W	5.5	7.5	300	380 3Φ	2140x1010x1480	23	730
XC-JB500W	7.5	10	500	380 3Φ	2310x1190x1750	23	1000
XC-JB1000W	15	20	1000	380 3Φ	3060x1280x2270	15	1500

We reserve the right to change specifications without prior notice.